

Model:CM-84

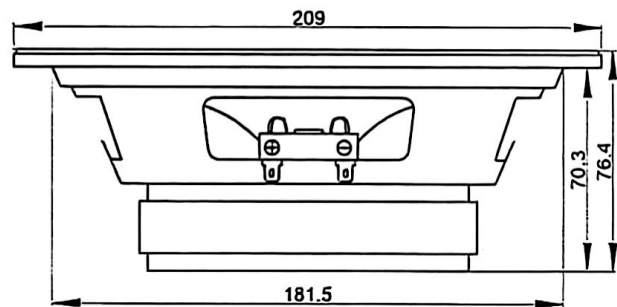
20 CM MIDRANGE SPEAKER



SPECIFICATIONS

General Data		Unit	Features
Overall Dimensions	209*76.4	mm	20 CM MIDRANGE SPEAKER
Nominal Power Handling	200	W	BLACK PAPER CONE WITH CLOTH EDGE
Maximum Power	500	W	IMPEDANCE:4 Ω
Sensitivity	93	dB	RATED POWER:200W
Frequency Response	100-15K	Hz	MAX. POWER:500W
Cono Material	PAPER CONE		FREQUENCY RESPONSE:100-15KHZ
Basket	METAL		SENSITIVITY:93DB
Net Weight	2.16	kg	Dimensions

Electrical Data		
Nominal Impedance	4	Ohm
DC Resistance	3.2	Ohm
Voice Coil and Magnet Parameters		
Voice Coil Diameter	Φ38.6	mm
Voice coil wire	CCA W	
Voice Coil Height	8.5	mm
Magnetic Gap Height	6	mm
Magnet system type	High Flux Ferrite	
Voice Coil Bobbin	KAPTON	
Number of Layers	2L	



T-S Parameters		
Suspension Compliance	0.1482	Cms
Mechanical Q Factor	7.05	Qms
Electrical Q Factor	0.89	Qes
Total Q Factor	0.79	Qts
Moving Mass	15.1536	Mms
Eq. Cas AIR Loaded	9.462	Vas
Resonant Frequency	106.2	Fs
Effective Piston Area	2.14E+02	SD

